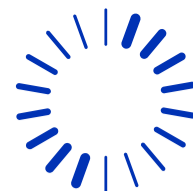
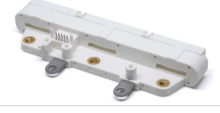


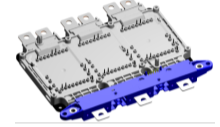


Technical characteristics





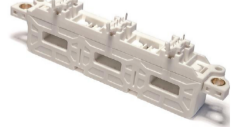


HAH3DR S07 family:

		Current measuring range	Busbar opening	Pitch	PCB connection	Insulation voltage	Creepage
HAH3DR S07/SP3		800, 900, 1000, 1100, 1200 A	14.5 x 4.0mm	47 mm	Press fit	2.5 kV	5.1 mm PLC3
HAH3DR S07/SP4		800, 900, 1000, 1100, 1200 A	14.5 x 1.5 mm	47 mm	Press fit	2.5 kV	6.4 mm PLC3
HAH3DR S07/SP2*		800, 900, 1000, 1100, 1200 A	14.5 x 1.5 mm	47 mm	Press fit	2.5 kV	6.4 mm PLC3
HAH3DR S07/SP7 Under development SOP in 2022		TBD 1500 A	14.5 x 2.2 mm	47 mm	Press fit	TBD	TBD

*Calibration range: up on demand

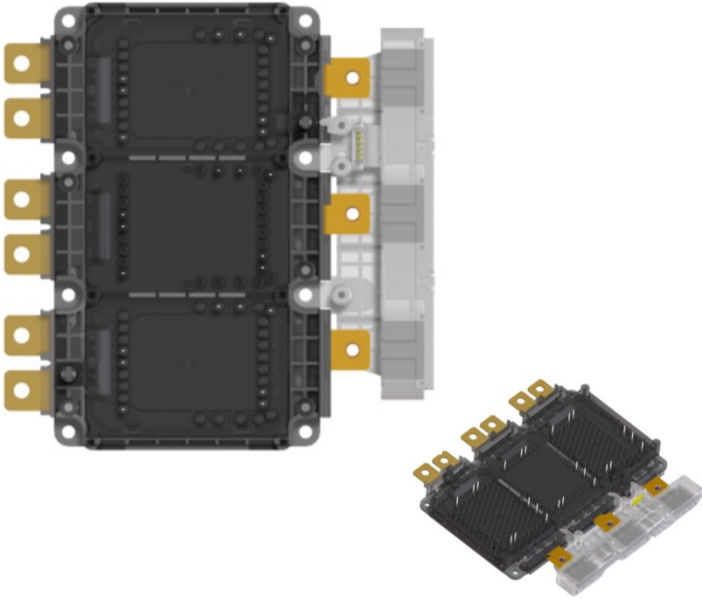
HAH3DR SOx for various busbar configurations:

		Current measuring range	Busbar opening	Pitch	PCB connection	Insulation voltage	Creepage
HAH3DR S06		800, 900 A	15.5 x 15.5 mm	33 mm	Connector	2.5 kV	5,08 mm PLC3
HAH3DR SOA		1500 A	14,5 mm round diameter	34 mm	Connector	2.5 kV	5,0 mm PLC3
HAH3DR S0D		900 A	15,5 x 7,5 mm	47 mm	Connector	2.5 kV	5,08 mm PLC3
HAH3DR SOE HAH3DR S03/SP4		600, 700, 800, 900, 1000, 1100, 1200 A	15,5 x 7,5 mm	33 mm	Connector	2.5 kV	5,08 mm PLC3
HAH3DR S00/SP4		900 A	14.5 x 5.5 mm	30 mm	Through hole	2.5 kV	4,78 mm PLC3

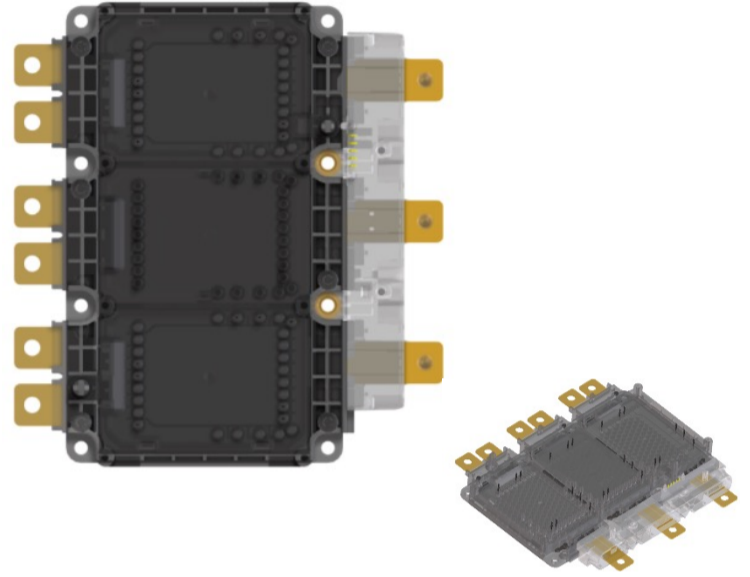
HAH3DR S07/SPx for industry standard inverter power modules



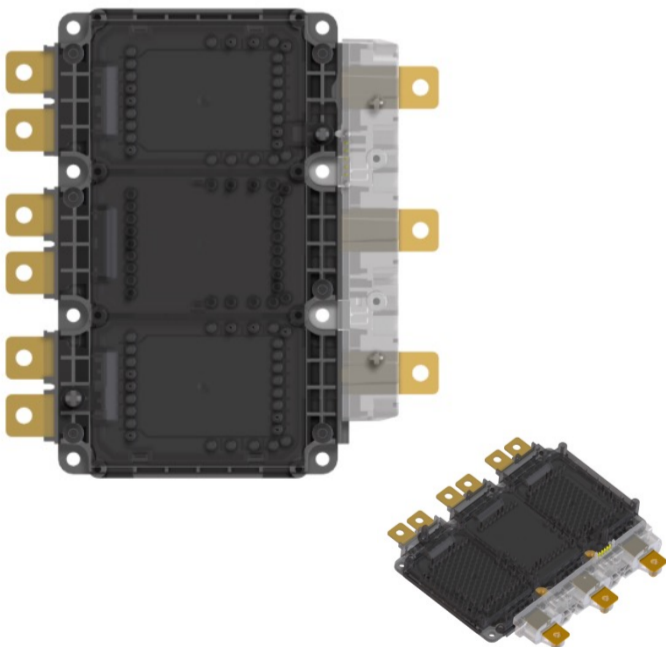
The HAH3DR S07/SP3 for short busbar version
14.5x4.0 mm aperture
with insert supports to screw busbar



The HAH3DR S07/SP4 for long busbar version
14.5x1.5 mm aperture
with insert supports to screw busbar



The HAH3DR S07/SP2 for long busbar version
14.5x1.5 mm aperture
(no insert supports)



The HAH3DR S07/SP7 for long busbar version
14.5x2.2 mm aperture
(no insert supports) - Under development

